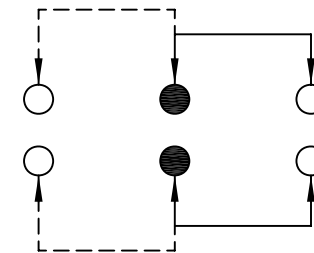
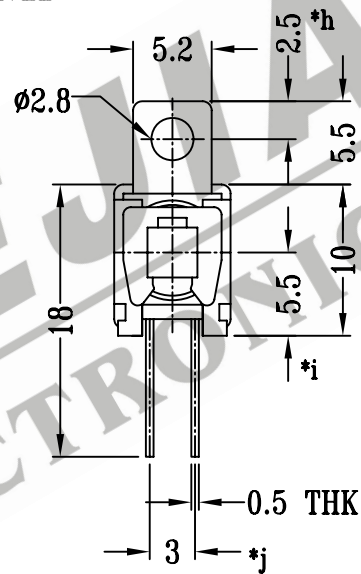
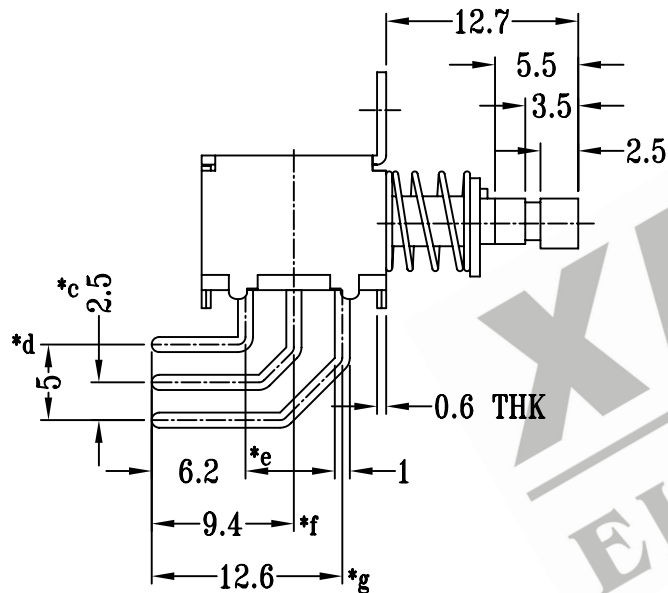
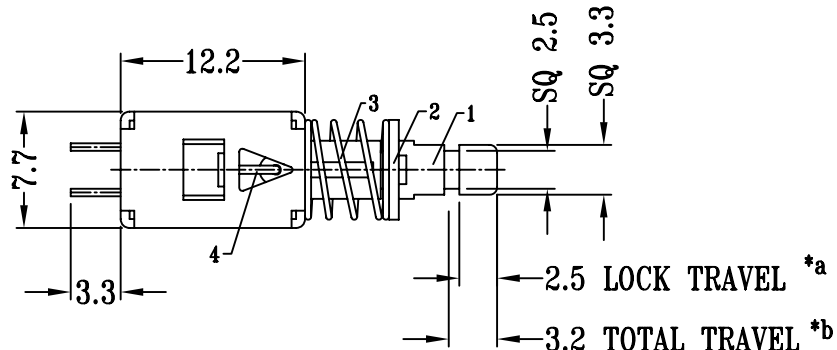
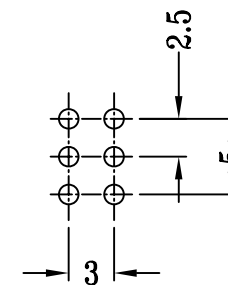


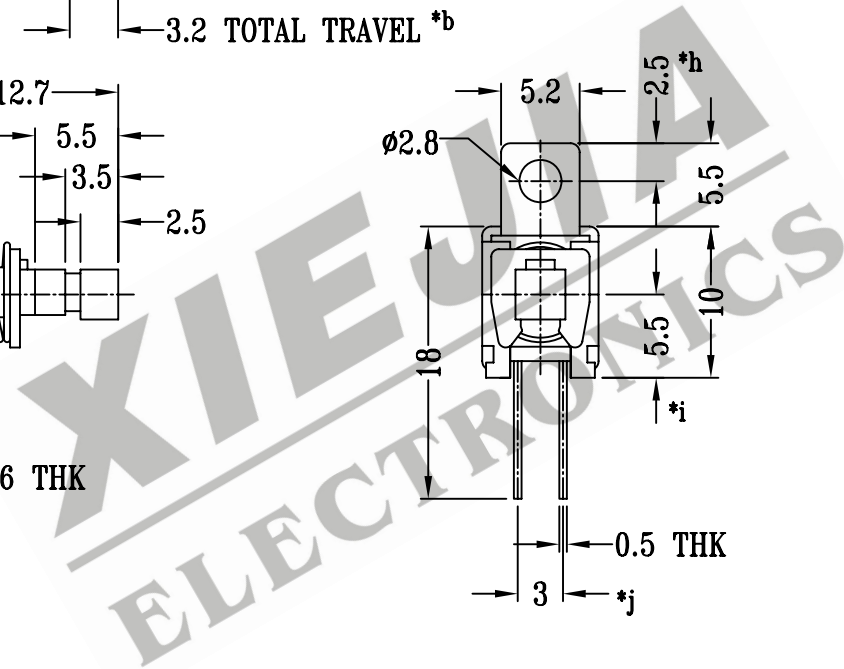
CAD FILE:



SCHEMATIC (NON-SHORTING)



P.C.B LAYOUT



注:带"*"表示关键尺寸(10个)

9	CONTACT CLIP	PBS STRIP	2	Ag PLATED	TOLERANCE UNLESS SPECIFIED	SHENZHEN XIEJIA ELECTRONICS CO.,LTD.				
8	TERMINAL	BRASS STRIP	6	Ag PLATED OVER Ni PLATED						
7	BASE	PHENOLIC RESIN	1	NATURAL	WITHIN: 1.5±0.1mm OVER: 1.5±0.2mm	ISSUE	DATE	DESCRIPTIONS OF REVISION		APPD.
6	FRAME	STEEL STRIP	1	Ni PLATED		TITLE: PUSH SWITCH	UNIT: mm	DRWG NO.: XJ-DR-PS22F40-00		
5	SPRING PLATE	PBS STRIP	1	NATURAL	MODEL: PS-22F40 (LOCKED)	SCALE: 2:1	DWN.	ZHOUYU	2003-6-16	
4	LOCK NEEDLE	PBS WIRE	1	NATURAL			CHK'D	FANGYING	2003-6-16	
3	SPRING	STEEL WIRE	1	Ni PLATED	ALL MATERIALS MUST BE COMPLIANT TO ROHS	APPD.	KANGXINAN	2003-6-16		
2	BLOCK	STEEL STRIP	1	Ni PLATED						
1	KNOB	POM	1	BLACK						
NO.	PARTS	MATERIALS	Q'TY	FINISH						